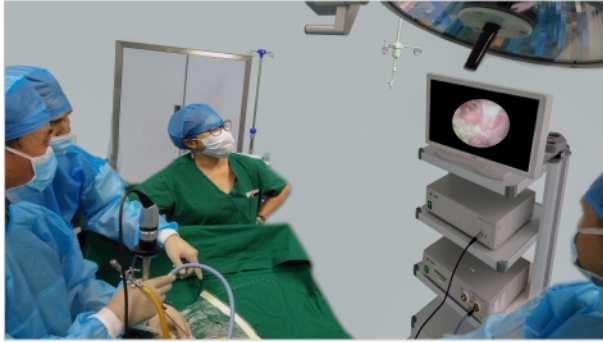


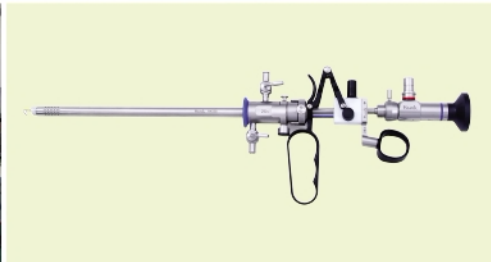
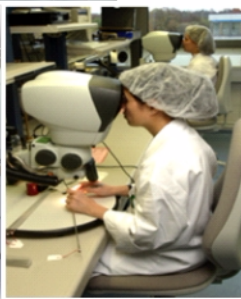
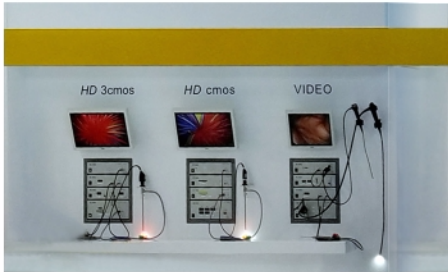
HAWK  
HAWK  
HAWK  
HAWK  
HAWK



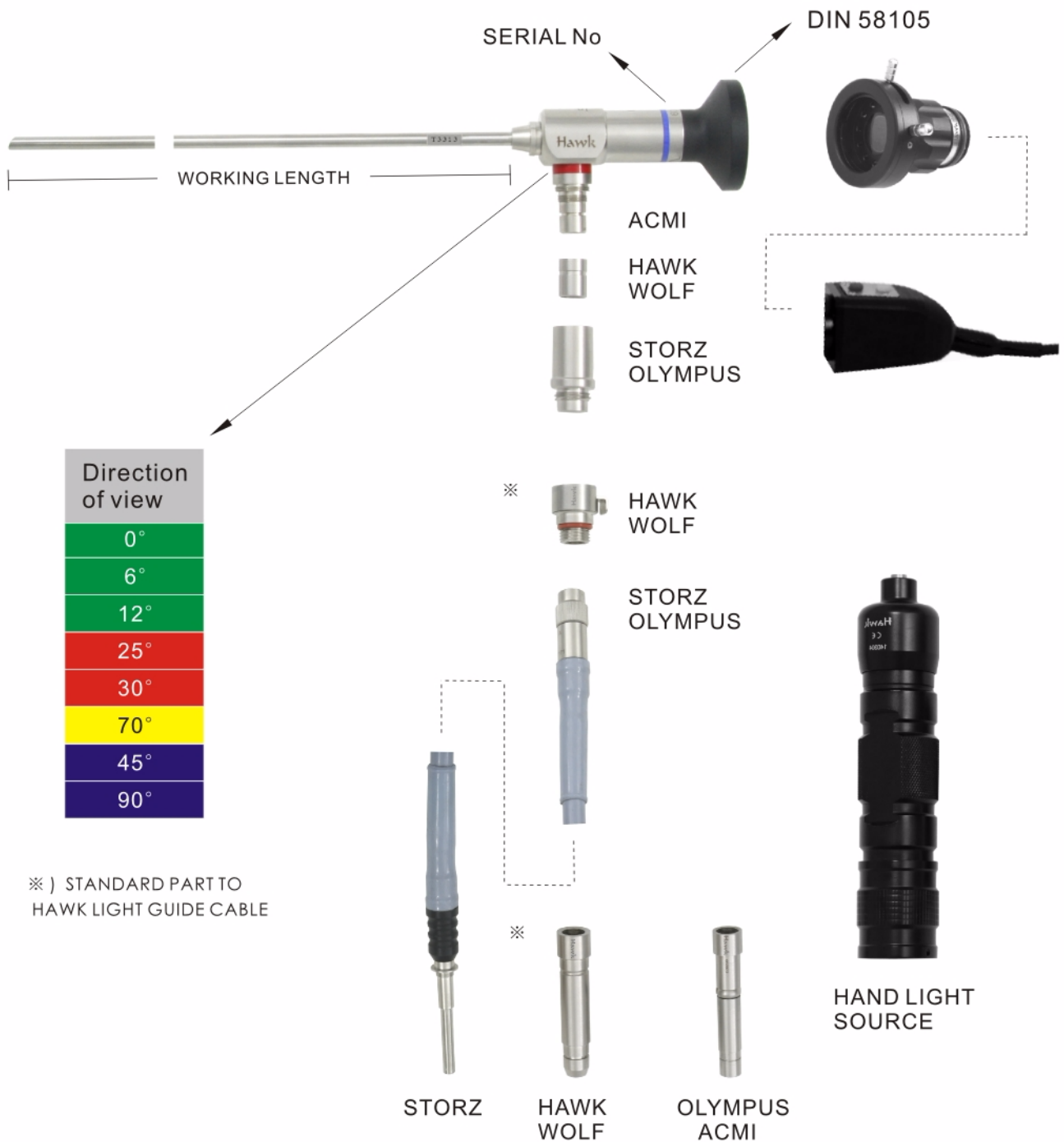
The HAWK Company was founded in 1993. The company is specialized in designing, developing and manufacturing human medical, veterinary and industrial endoscope systems and selling these products worldwide.

The design and development of HAWK's endoscopes carried out in close cooperation with universities and doctors.

HAWK's in-house manufacturing of the optical, mechanical, electronic items and imaging systems brings HAWK in a position to provide all products in state-of-the-art and can customize efficiently products as OEM.



# HAWK TELESCOPE SYSTEM AND ADAPTORS



USING LIGHT GUIDE CABLE FROM OTHER MANUFACTURERS WILL CAUSE A CERTAIN EFFECT TO IMAGE OF ENDOSCOPE SYSTEM DUE TO THE DIFFERENT STANDARD.

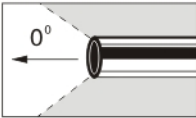
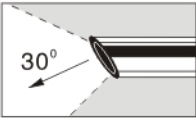
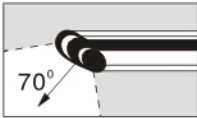


All dimensions in [ mm ]

# SINOSCOPIES

## SINOSCOPIES

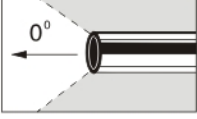
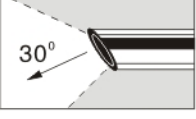
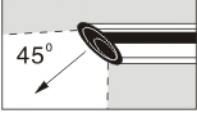
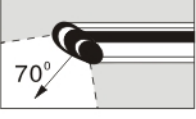


		
<b>Telescope 0°</b>	<b>Telescope 30°</b>	<b>Telescope 70°</b>
∅2.7 × 174	∅2.7 × 174	∅2.7 × 175
<b>T0180</b>	<b>T0183</b>	<b>T0187</b>

## SINOSCOPIES



ENT

	<b>Telescope 0°</b>	<b>T3180J</b>		<b>Telescope 30°</b>	<b>T3183J</b>
	∅4 × 174			∅4 × 174	
	<b>Telescope 0° wide angle</b>	<b>T3180G</b>		<b>Telescope 30° wide angle</b>	<b>T3183G</b>
	∅4 × 174			∅4 × 174	
	<b>Telescope 0° autoclavable</b>	<b>TH3180</b>		<b>Telescope 30° autoclavable</b>	<b>TH3183</b>
	∅4 × 174			∅4 × 174	
	<b>Telescope 45°</b>	<b>T3184J</b>		<b>Telescope 70°</b>	<b>T3187J</b>
	∅4 × 174				<b>Telescope 70° wide angle</b>
				∅4 × 175	